

SEAT

Designer: Aaron Tuck



SLAT OPTIONS

- Oiled hardwood
- Composite

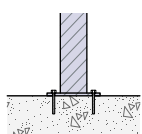
FRAME OPTIONS

- Hot dip galvanised mild steel

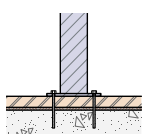
FRAME FINISHES

- Powdercoat

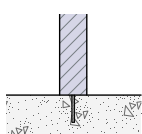
INSTALLATION



Bolt Down



Bolt Through



Concealed Fix

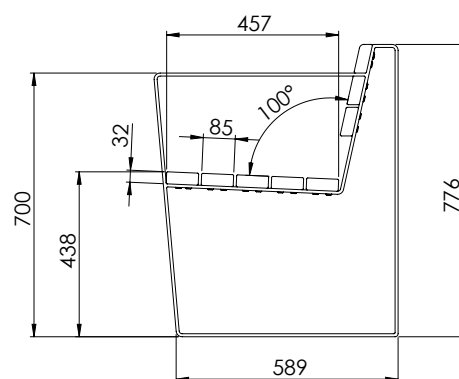
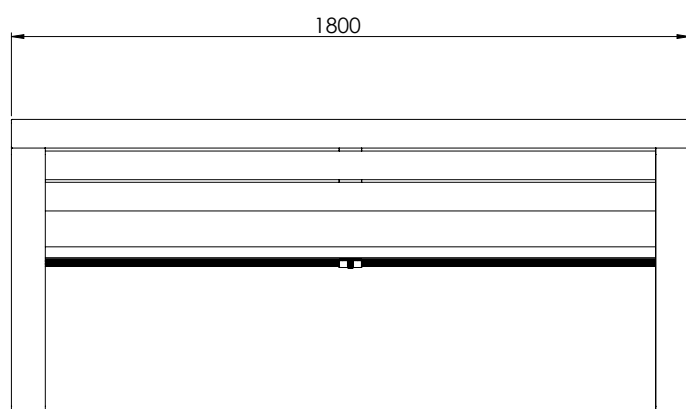
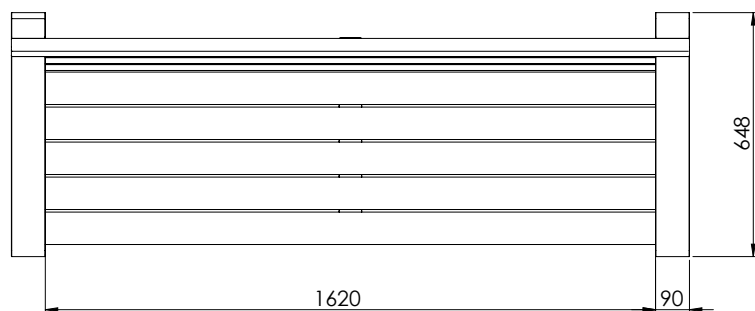
FIXINGS

- 12mm fixings for 14mm diameter holes

Alternative materials and finishes available on request

SUSPEND SEAT

SPECIFICATIONS



Measurements are in millimetres. Drawings are not to scale.
Dimensions shown are for timber slat option.

PRODUCT CODE	FRAME FINISH	SLAT OPTION & SIZE (mm)
SUS003-HDG-PC-T	Powdercoated finish	85x32 Oiled hardwood timber slats
SUS003-HDG-PC-C	Powdercoated finish	90x40 Composite slats